

# Technical data sheet

Product features



## Cooking range electric on open cabinet

<b>Model</b>	<b>SAP Code</b>	00014768
--------------	-----------------	----------



- Device type: Electric unit
- Power consumption of the zone 1 [kW]: 2,6
- Power consumption of the zone 2 [kW]: 2,6
- Protection of controls: IP24
- Material: AISI 304 top plate and cladding

<b>SAP Code</b>	00014768	<b>Power electric [kW]</b>	5.200
<b>Net Width [mm]</b>	400	<b>Loading</b>	400 V / 3N - 50 Hz
<b>Net Depth [mm]</b>	730	<b>Number of zones</b>	2
<b>Net Height [mm]</b>	900	<b>Power consumption of the zone 1 [kW]</b>	2,6
<b>Net Weight [kg]</b>	34.80	<b>Power consumption of the zone 2 [kW]</b>	2,6

# Technical data sheet

Technical drawing

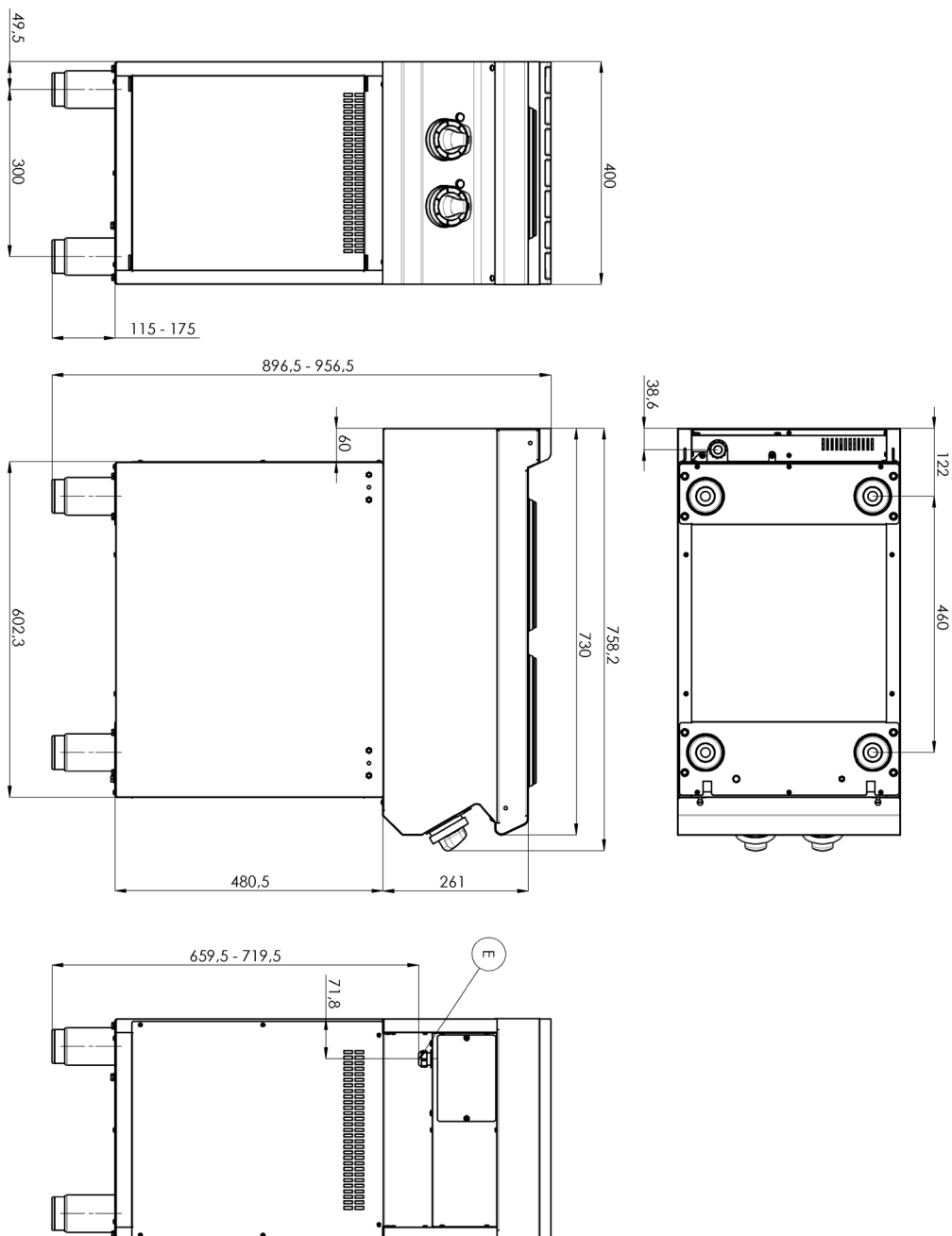


## Cooking range electric on open cabinet

Model

SAP Code

00014768



# Technical data sheet

Technical parameters



## Cooking range electric on open cabinet

<b>Model</b>	<b>SAP Code</b>	00014768
--------------	-----------------	----------

**1. SAP Code:**

00014768

**2. Net Width [mm]:**

400

**3. Net Depth [mm]:**

730

**4. Net Height [mm]:**

900

**5. Net Weight [kg]:**

34.80

**6. Gross Width [mm]:**

440

**7. Gross depth [mm]:**

800

**8. Gross Height [mm]:**

1080

**9. Gross Weight [kg]:**

41.00

**10. Device type:**

Electric unit

**11. Construction type of device:**

With substructure

**12. Power electric [kW]:**

5.200

**13. Loading:**

400 V / 3N - 50 Hz

**14. Protection of controls:**

IP24

**15. Exterior color of the device:**

Stainless steel

**16. Material:**

AISI 304 top plate and cladding

**17. Indicators:**

operation

**18. Worktop type:**

Molded - comfortable cleaning maintenance

**19. Worktop material:**

AISI 304

**20. Worktop Thickness [mm]:**

1.50

**21. Number of zones:**

2

**22. Power consumption of the zone 1 [kW]:**

2,6

**23. Power consumption of the zone 2 [kW]:**

2,6

**24. Maximum device temperature [°C]:**

400

**25. Minimum device temperature [°C]:**

50

**26. Service accessibility:**

Trough the frontal panel

**27. Adjustable feet:**

Yes

**28. Number of burners/hot plates:**

2

# Technical data sheet

Technical parameters



## Cooking range electric on open cabinet

<b>Model</b>	<b>SAP Code</b>	00014768
--------------	-----------------	----------

### 29. Type of electric cooking zones:

Oval

### 30. Cross-section of conductors CU [mm<sup>2</sup>]:

1

– Výkon (kW): 3,7-5 (230 V); 6,4-8,7 (400 V)